

Beta 712H

Plus Opto Ltd
B13 Derwent Court
William Way
Moss Ind Est
Leigh
WN7 3PT
UK
Tel: +44 (0) 1942 671122
www.plusopto.co.uk

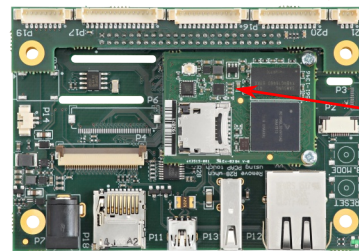


Low Cost Touch 7" LCD with Bezel and Integrated ARM IoT Computer



Stylish modern plastic bezel is supplied

7" LCD with Touch Screen

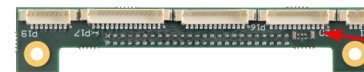


Connector PCB - options include Picoblade, Screw Terminal or custom to use your connectors and circuitry

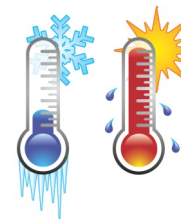
TM1 module with 1GHz ARM Cortex A9 processor, memory, Flash, Wifi and Bluetooth



Purpose designed Processor Module and host board enables a truly low profile package



Our standard connector PCB is provided. If you require different connectors or additional circuitry - please contact us for details.



Standard & Extended Temperature Ranges Available

Look what's available

- * 7" 800 x 480 LCD Module
- * Projected Capacitance Touch Screen
- * 1GHz Freescale iMX6 ARM Cortex A9 CPU
- * 256MB/512MB/1GB Memory
- * eMMC Flash (4GB or 8GB) or uSD Socket
- * USB Host Port - High, Full and Low Speeds
- * USB Device Port - High and Low Speeds
- * 10/100 Mbit LAN - Auto MDIX
- * Wifi - 802.11a/b/g/n, 2.4GHz & 5GHz
- * Wifi Station and Access Point support
- * Bluetooth 4.1, BLE 4.0
- * 12 GPIO signals plus I2C & SPI
- * Two RS232 Ports
- * One RS232/422/485 Port
- * Class D Audio Amplifier
- * Stereo line input & outputs
- * 5 volt DC power input - jack or screw terminal
- * Low power operation
- * Standard or Extended Temperature versions
- * Android 4.4 Operating System
- * Linux 14.04 LTS Operating System
- * Contact us for the Windows release date
- * UK Design, Manufacture & Technical Support
- * Custom Designs available - contact us for details



FM33069



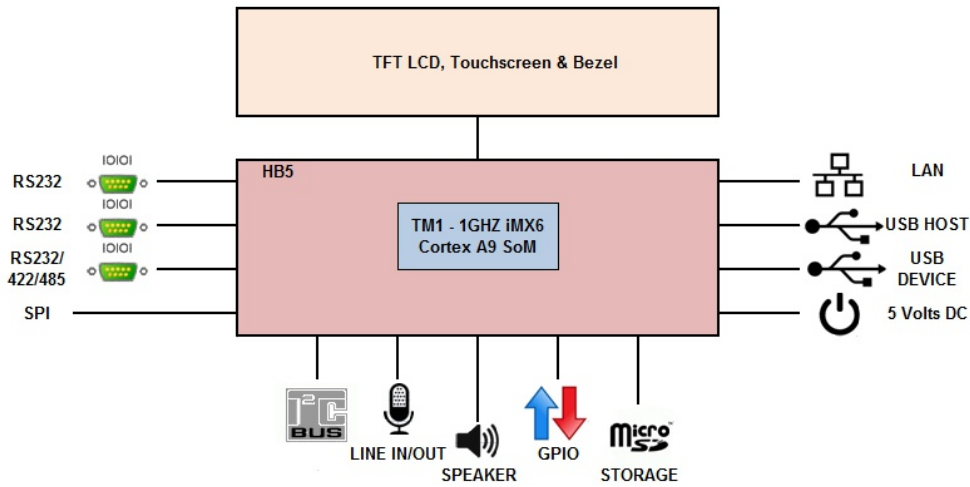
Tel: 44 (0) 1829 772000

Email: sales@bluechiptechnology.co.uk

Beta 712H

Overview

Plus Opto Ltd
B13 Derwent Court
William Way
Moss Ind Estate
LEIGH,
WN7 3PT
UK
+44 (0)1942 671122
www.plusopto.co.uk



Specification

Processor	Freescale iMX6 Sololite	Serial Interfaces	
Speed	1GHz	SPI	1
Cores	1	I2C	1
Memory	256MB/ 512MB/ 1GB	RS232	2 (Rx/Tx)
Storage	eMMC 4GB/ 8GB or MicroSD 8GB	RS232/422/485	1
LCD	7" TFT Resolution 800 x 480	Audio	
Contrast	400 typical	Line	Stereo Inputs & Outputs
Brightness	380 cd/m ² typical	Speaker Output	Mono 0.5 watt
Viewing Angle	60, 70, 70, 70 typical	Power Consumption	
Touch Screen	Resistive / Projected Capacitance	Input	5 volts DC @ 0.84 amps max (4.2 watts)
Ethernet	10/100 Mbit	Suspend to RAM	5 volts DC @ 0.01 amps (~50milliWatts)
Wi-Fi (Optional)		At Desktop	5 volts DC @ 0.39 amp (~2 watts)
Frequencies	2.4GHz & 5GHz	Operating Temperature	
Standard	802.11 a/b/g/n	Standard	0°C to 50°C
Support	Access Point & Station	Extended	-20°C to 60°C
Bluetooth (Optional)		EMC	CE
	Classic 4.1, BLE 4.0	Operating Systems	Android 4.4, Linux Ubuntu 14.04 LTS Windows EC2013 - Please contact sales
		Dimensions	124mm x 187mm x 31mm (HxWxD)

Ordering Information

BE712H-iMX6-1GHz-S[x]-MB[x]-EM[x]-T[x]-W[x]-CB[x]

Example: BE712H-iMX6-1GHz-SR-MB3-EM4-TS-W0-CB2

S[x] Touchscreen Type Resistive: R, Capacitive: C

MB[x] Memory Size 256MB: 1, 512MB: 2, 1GB: 3

EM[x] eMMC Size: Not Required: 0, 4GB: 4, 8GB: 8

T[x] Temperature Range: 0°C to 50°C: S, -20°C-+60°C: E

W[x] Wifi & Bluetooth Not Required: 0, WiFi & Bluetooth Required: 1

CB[x] No Connector Board: 0, Pico Blade Connector Board: 1, Screw Terminal Connector board: 2

Tel: 44 (0) 1829 772000

Email: sales@bluechiptechnology.co.uk

Beta712H V1.0