

LED Lighting

Flexible LED Sheet PLS500x235



Features

- Ultra-thin flexible LED sheet
- Cuttable matrix at single LED point
- High efficacy >120 lm/W
- Choice of colour temperatures
- High colour consistency (MacAdam 3)
- High CRI Ra90
- Constant Voltage 12vdc
- Dimmable
- On-board connector points

Description

Designed for area backlighting in Lightbox projects and termed light paper the PLS500 series LED flexible sheet comprises of an array of 105 LED emitters with optics to provide a bright and even surface illumination

Maximum ratings Ta=25°C

Part No.	Voltage (V)	Power (W)	Operating Temperature	Test Point Temp. (Tp)	Weight (g)
PLS500x235 series	12VDC	32W 0.3W/LED	-20 ~ +30°C	45°C	55g

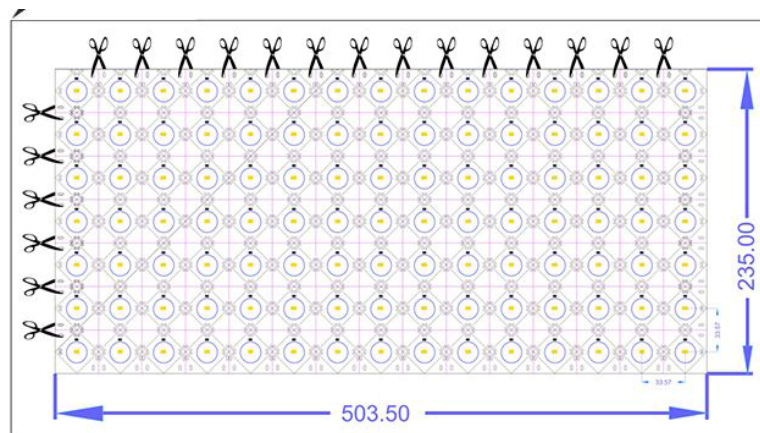
Optical Characteristics Ta=25°C

Part No.	Colour	CCT°K	Total Flux (lm)	CRI (Ra)	Beam Angle
PLS500x235PW-12v	Pure White	6000 - 6500K	3850	>80	160°
PLS500x235NAW-12v	Natural White	4000 – 4500K	3850		
PLS500x235WW-12v	Warm White	2700 - 3200K	3520		

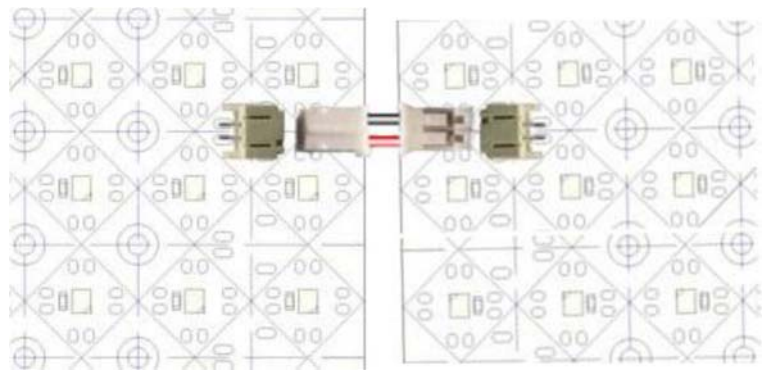
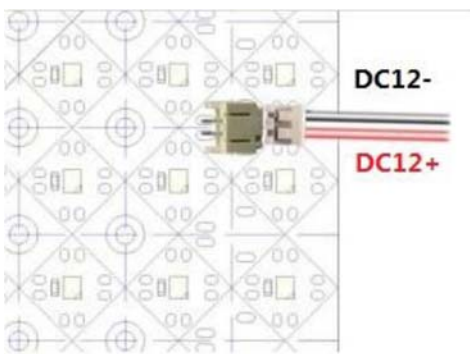
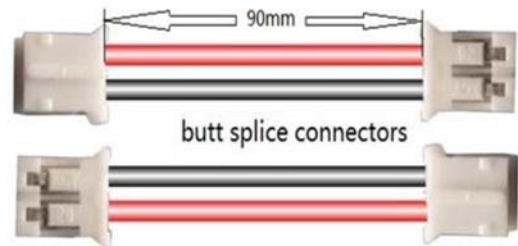
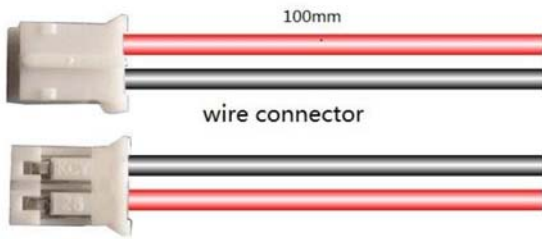
Notes:

IP Rating: IP20 Non waterproof
Mechanical: Minimum bend radius 50mm
LED pitch 33.5mm
Connection: JST XHP-2

Dimensions



Connection

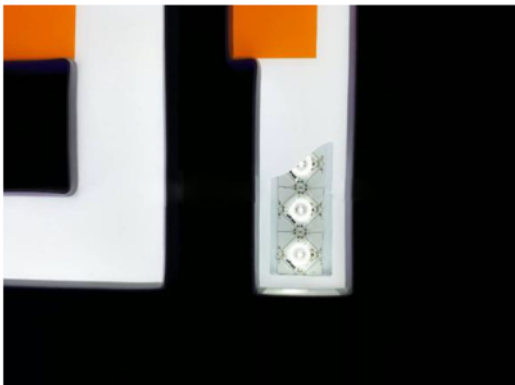


Notes

1. Observe connection polarity
2. Maximum current rating of connectors is 4A (60W). In larger installations multiple connection terminals should be used
3. Install power supplies and controllers in a ventilated, dry environment.
4. Select power supplies with 20% power headroom over the system total wattage.

Applications

Character illumination



Lightboxes

