

LED Wireless Driver

- RF 2.4GHz wireless signal, no need signal cable.
- Dimming, CT, RGB, RGBW LED lights can be controlled.
- Compatible with F series remote.
- Compatible with EX series touch panel.
- Compatible with WiFi-106 gateway .

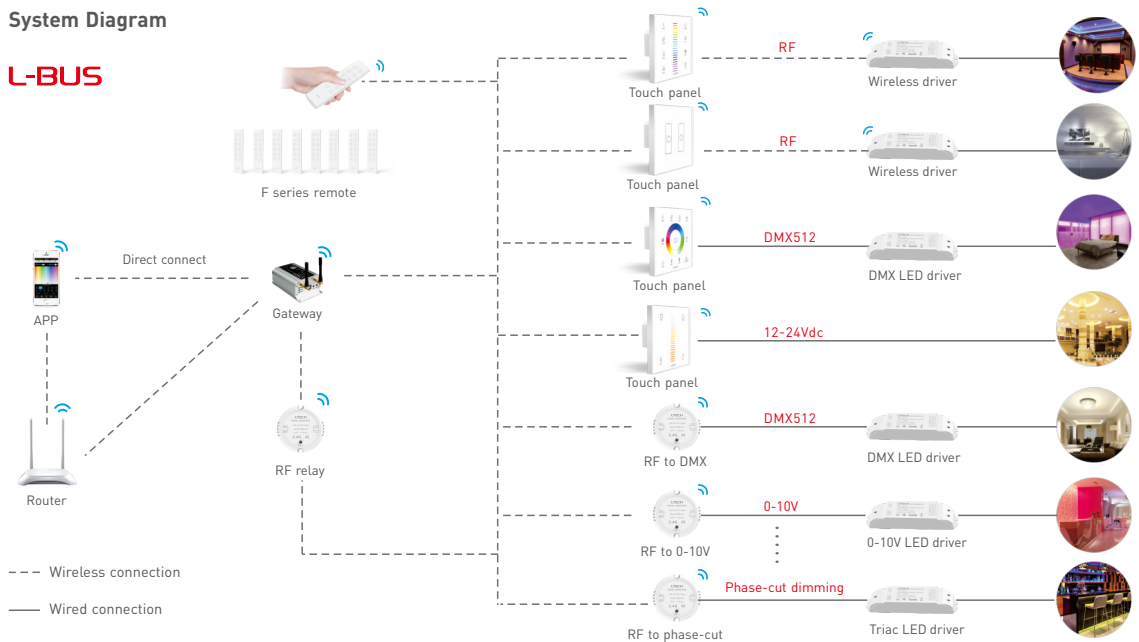
FC CE RoHS

warranty
5 years



System Diagram

L-BUS

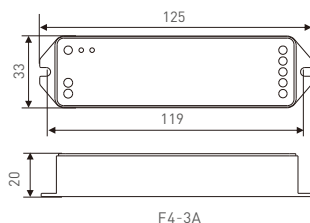


Specification

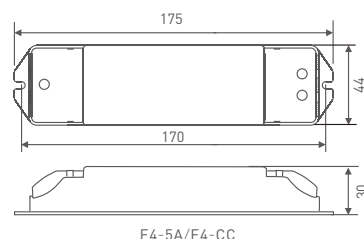
Model	F4-3A	F4-5A	F4-CC
Wireless signal	RF 2.4GHz		
Input voltage	5-24Vdc		12-48Vdc
Output voltage	5-24Vdc		3-46Vdc
Current load	3A × 4CH Max. 12A	5A × 4CH Max. 20A	CC 350/700/1050mA × 4CH
Output power	(0-15W...72W) × 4CH Max. 288W	(0-25W...120W) × 4CH Max. 480W	(1.05W-48.3W) × 4CH Max. 193.2W
Dimming range	0-100%, LED start at 0.1% possible.		
Protection	Reverse connection protection	Over current / Short circuit / Reverse connection protection	Over-heat / Open circuit / Reverse connection protection
Working temperature	-30 -55		
Product size	L125×W33×H20(mm)	L175×W44×H30(mm)	
Package size	L127×W35×H22(mm)	L178×W48×H33(mm)	
Weight(G.W.)	60g	150g	165g

Product Size

Unit: mm

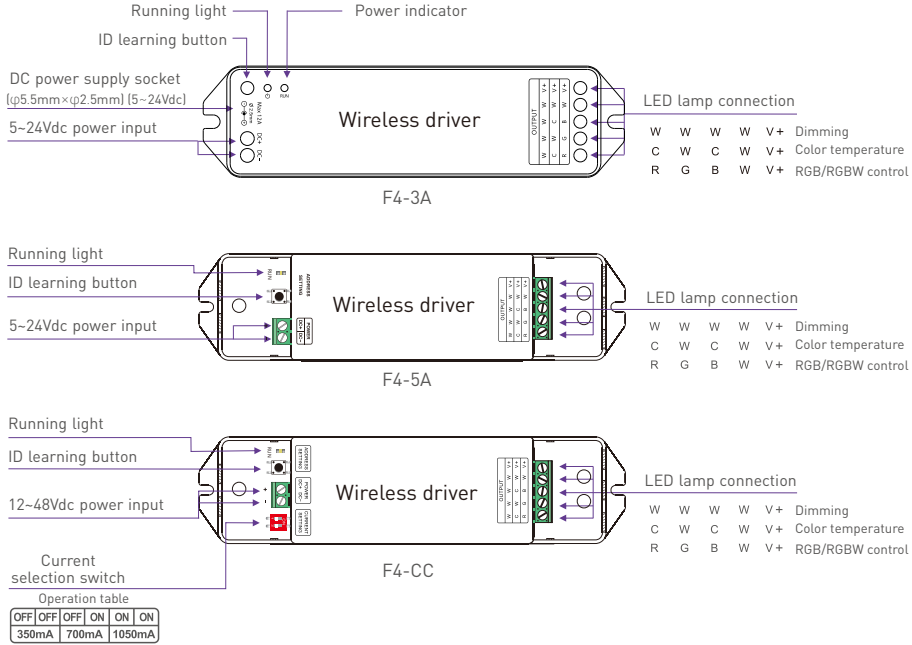


F4-3A



F4-5A/F4-CC

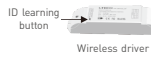
Terminal Description



Match Code (ID learning button method):

Step 1:

Short press "ID learning button" on driver, the lamps flicker, please complete step 2 within 15 seconds.



Match Code (power on method):

Step 1:

The driver power off.



Step 2:

Match up with F series remote:

Single zone remote: Long press On/Off key.
Multi-zone remote: Long press the matching zone ON & OFF keys simultaneously.



Match up with EX series panel:

Single zone panel: Long press On/Off key, then press any key.
Multi-zone panel: Long press On/Off key, then press the matching zone key.
* Please do it when panel is power-on.



Match up with 106 gateway:

Turn on APP, click "ZONE" key to enter "zone set" interface, click the right top "MATCH" key, then operate following the prompts.



Step 2:

Match up with F series remote:

Single zone remote: Hold down On/Off key, meanwhile the driver power on.
Multi-zone remote: Hold down the matching zone's On & Off keys simultaneously, meanwhile the driver power on.



Match up with EX series panel:

- Single zone panel: Long press ON/OFF key until all indicator flicker.
Multi-zone panel: Long press ON/OFF key until all zone's indicator flicker.
- Power on driver, the lamps flicker slowly, please complete step 3 within 15s.
- Single zone panel: press any key on panel.
Multi-zone panel: press the matching zone key.
* Please do it when panel is power-on.



Match up with 106 gateway:

Turn on APP, Click "ZONE" key to enter "zone set" interface, click the right top "MATCH" key, then operate following the prompts.



Step 3:

The lamps of driver flicker quickly and then stop flicking, the buzzer long beep, match code successfully.

Step 3:

The lamps of driver flicker quickly and then stop flicking, the buzzer long beep, match code successfully.

Clear Code (ID learning button method):

Long press "ID learning button" on driver for 10 seconds, If the lamps flicker 5 times, deactivate the matching successfully.



Clear Code (power on method):

Power on and off driver continuously for 10 times, If the lamps flicker 5 times, deactivate the matching successfully.



* No further notice if any changes in the manual.
Product function depends on the goods.
Please feel free to contact our official distributor if any question.