

## DMX/DALI -0-10V Dimming Module

- Adopt SAMSUNG/COVESTRO V0 flame resistant polycarbonate protective housings with small size and light weight.
- Dimming interface: DMX/RDM, DALI, Push Dim.
- Optional output: 0-10V, 5V PWM, 10V PWM.
- With the RDM protocol.
- 4 channel output.
- Built-in relay for ON/OFF control of LED driver.
- Soft-on and fade-in dimming function enhances your visual comfort.
- Dimming range: 0~100%.
- Full protective plastic housing.
- DALI bus standard: IEC62386-101,102,207.
- Compliant with Safety Extra Low Voltage standard.
- Suitable for indoor environments.



MODEL		LT-84A
SPECIFICATIONS	Dimming interface	DMX/RDM,DALI,Push Dim
	Output signal	0-10V×4CH
	Dimming range	0~100%
	Output signal logic	High potential
	Input voltage	100-240Vac/277Vac (277 Vac for North America only)
	Frequency	50/60Hz
	AC current	0.055A
	Inrush current	Cold start14A@230Vac
	Leakage current	<0.5mA/240Vac
	Power consumption	115Vac@3.0W MAX 230Vac@3.5W MAX
	Relay switch	240Vac/8A
	Working temperature	ta: -30°C ~ 55°C tc: 70°C
	Working humidity	20 ~ 95%RH, non-condensing
	Storage temp/Humidity	-40 ~ 80°C, 10~95%RH
Vibration	10-500HZ, 2G 12min/1cycle , 72 min for X,Y and Z axes respectively.	
OTHERS	Dimensions	175×44×30mm(L×W×H)
	Pacakge size	178×48×33mm(L×W×H)
	Weight	110g±10g
	Withstand voltage	I/P-O/P:3750Vac
	Insulation resistance	I/P-O/P:500VdC/25°C/70%RH≥100MΩ
SAFETY & EMC	Safety standards	IEC/EN6 1347-1, IEC/EN6 1347-2-13
	EMC emission	55015, EN61000-3-2 Class C, IEC61000-3-3
	EMC immunity	EN61000-4-2,3,4,5,6,8,11, EN61547

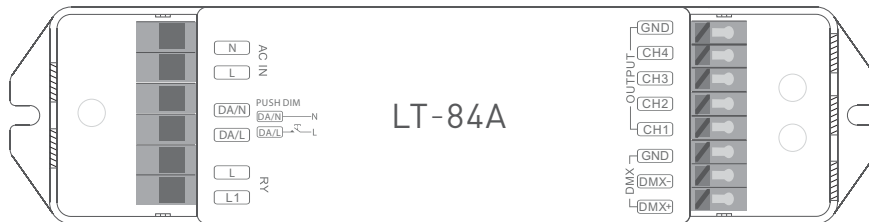
### Push Dimming



Reset switch

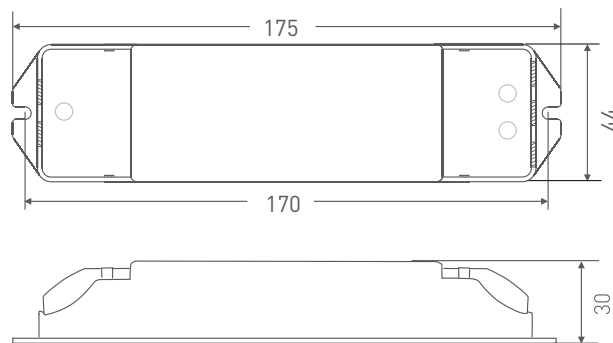
- On/off control: Short press .
- Stepless dimming: Long press.
- With every other long press, the light level goes to the opposite direction.
- Dimming memory: Brightness will be the same as previously adjusted when lights are turned off and on again.

## Dimensions

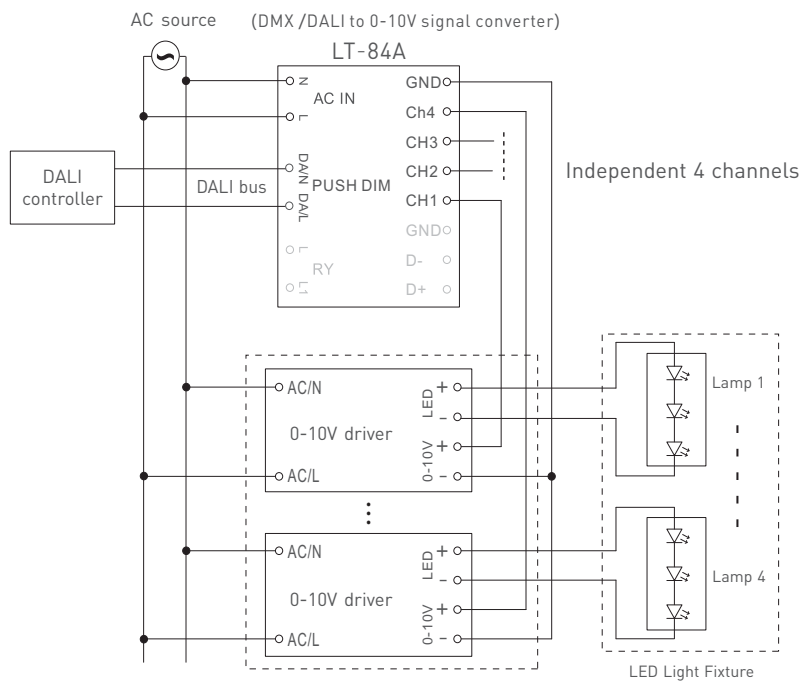


## Product Size

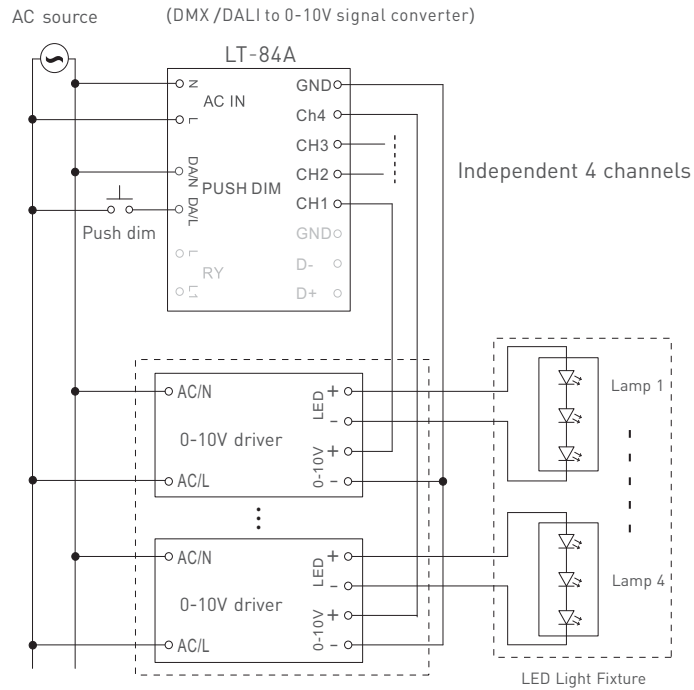
Unit : mm



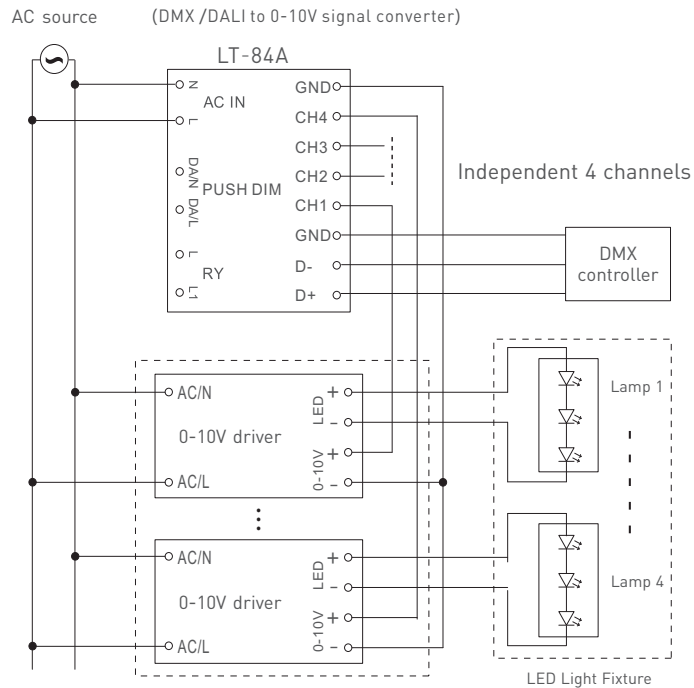
## DALI connection



### Push Dim connection



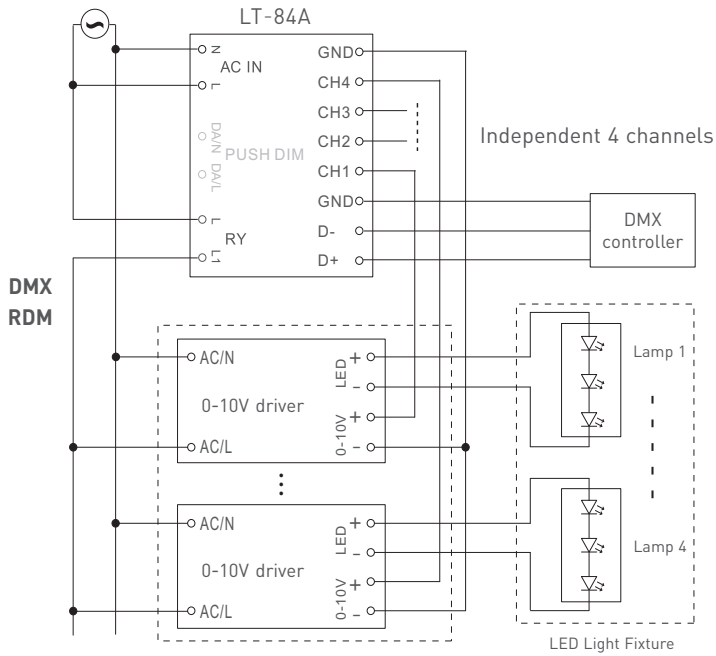
### DMX/RDM connection



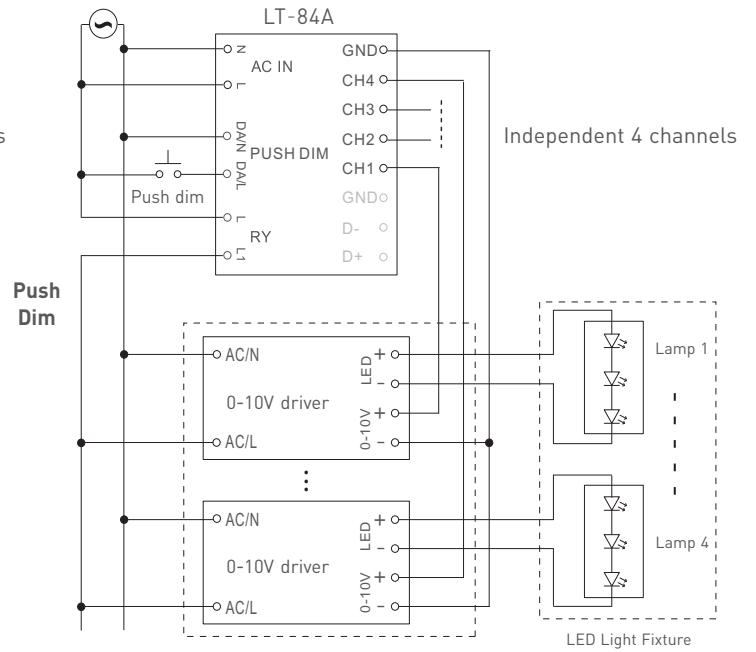
- \* Please make sure the maximum voltage drop between DMX/RDM, DALI controller and LT-84A should not be higher than 2V. Maximum cable length for 1.5mm<sup>2</sup> cables is 300m.
- \* Each channel is individually addressable, light intensity of LED driver connected to the same channel with be the same; the maximum allowable voltage drop between the LT-84A and LED driver should not be higher than 0.5V; Maximum cable length for 1.5mm<sup>2</sup> cable is 300m.

### Built-in Relay connection

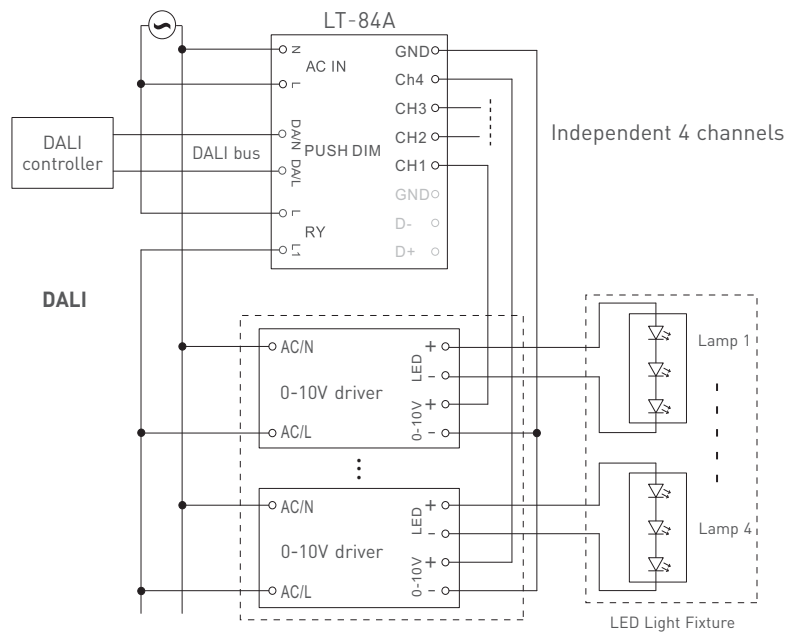
AC source (DMX /DALI to 0-10V signal converter)



AC source (DMX /DALI to 0-10V signal converter)



AC source (DMX /DALI to 0-10V signal converter)

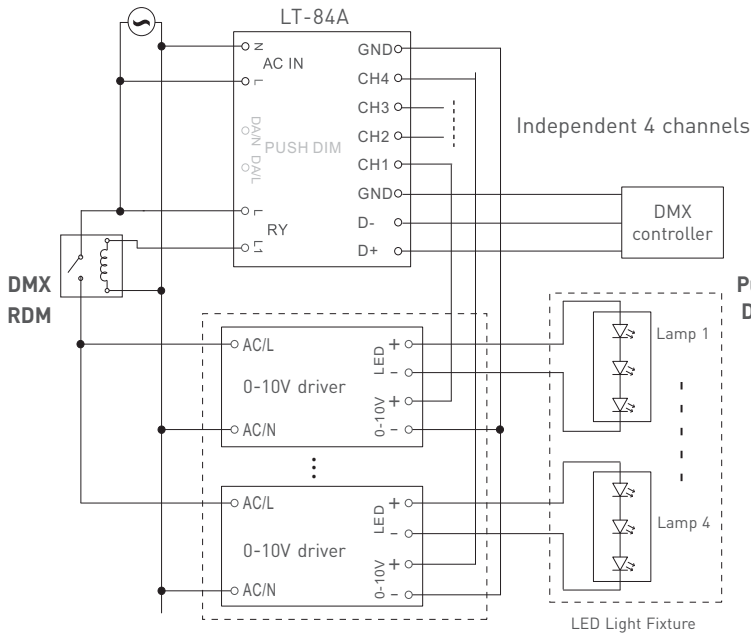


- \* LT-84A is equipped with a relay that can be used to turn ON/OFF LED driver. The relay is in the closed position when the CH1 generates dimming signal, the relay is in the open position when there is no output signal on the CH1.
- \* The maximum load of built-in relay: 8A resistive current load or less than 50A inrush current load. The breakdowns caused by overloading is not covered by the warranty.

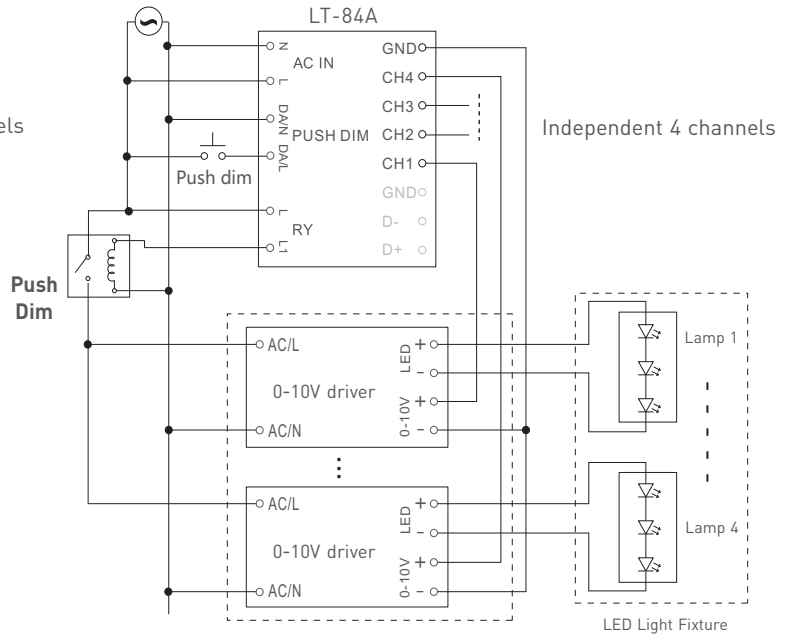
### External Relay connection

An additional relay or magnetic switch is needed when the total input current of the LED driver is higher than 8A or inrush current is more than 50A. Connection diagram as below:

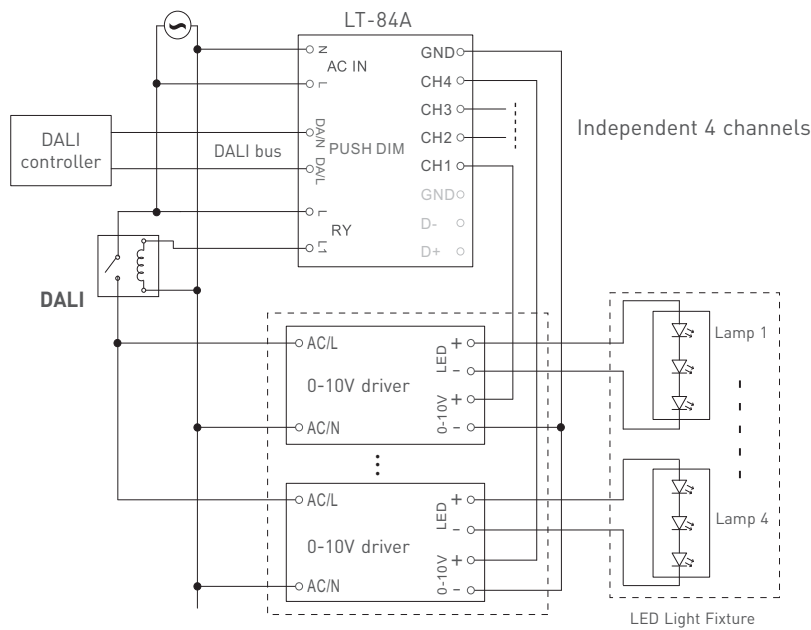
AC source (DMX /DALI to 0-10V signal converter)



AC source (DMX /DALI to 0-10V signal converter)



AC source (DMX /DALI to 0-10V signal converter)



\* Note: Light intensity of LEDs in the same group may be decreased when one of the LED driver is AC OFF.

## Attentions

- Products shall be installed by qualified professionals.
  - LTECH products are non-waterproof (special models excepted). Please avoid the sun and rain. When installed outdoors, please ensure it is mounted in a water proof enclosure.
  - Good heat dissipation will extend the working life of products. Please ensure good ventilation.
  - Please check if the working voltage used complies with the parameter requirements of products.
  - The diameter of wire used must be able to load the light fixtures you connect and ensure the firm wiring.
  - Before you power on products, please make sure all the wiring is correct in case of incorrect connection that causes damage to light fixtures.
  - If a fault occurs, please do not attempt to fix products by yourself. If you have any question, please contact your suppliers.
- \* This manual is subject to changes without further notice. Product functions depend on the goods. Please feel free to contact our official distributors if you have any question.

## Warranty Agreement

Warranty periods from the date of delivery : 5 years.

Free repair or replacement services for quality problems are provided within warranty periods.

### Warranty exclusions below:

- Beyond warranty periods.
  - Any artificial damage caused by high voltage, overload, or improper operations.
  - Products with severe physical damage.
  - Damage caused by natural disasters and force majeure.
  - Warranty labels and barcodes have been damaged.
  - No any contract signed by LTECH.
1. Repair or replacement provided is the only remedy for customers. LTECH is not liable for any incidental or consequential damage unless it is within the law.
  2. LTECH has the right to amend or adjust the terms of this warranty, and release in written form shall prevail.