

Waterproof FPC LED Module

PWM3322FPC-1 YL2835x-12v/IP65



Designed for light boxes & backlighting applications, the PWM3322FPC-1 YL2835x module is mounted on FPC and suitable for 4-15cm depth letter illumination providing bright and even illumination. Supplied on reels of 200 pcs at 43mm centres. Fixing is facilitated by 3M adhesive tape. Cascade in strings of 50 modules

- Compact module 33x22x7.6mm
- High performance 2835 LED emitter
- Low voltage operation 12vdc
- Low power consumption
- Waterproof housing rated IP65
- Wide 170° angle of emission

ELECTRICAL SPECIFICATIONS

Input Voltage	12vdc
Current Consumption	60mA/module
Power Consumption	0.72W/module

LIGHTING PERFORMANCE

Efficiency	>120lm/W
Lifetime	>20,000 hours
Viewing Angle	170°

ENVIRONMENTAL

Operating Temp	-25°C to +60°C
Storage Temp	-25°C to +70°C

MECHANICAL DETAIL

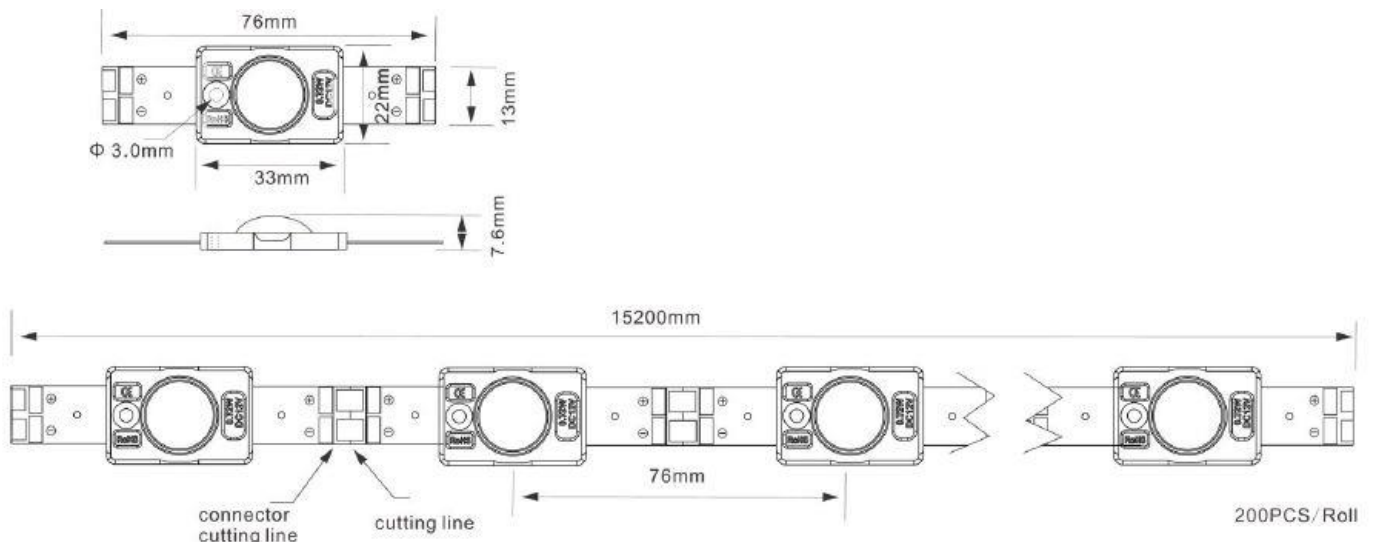
Dimensions	33x22x7.6mm
Weight	4.6g/module
Environmental	IP65
Approvals	CE and UL

Specifications

PART NUMBER	COLOUR	CCT	VOLTAGE	CURRENT (module)	POWER (module)	LUMINOUS FLUX (module)
PWM3322FPC-1 YL2835PW /IP65	Pure White	6000~6500K	12vDC	60mA X50 =3.0A	0.72W x 50 = 36W	86 lm
PWM3322FPC-1 YL2835NAW /IP65	Natural White	4000~4500K				86 lm
PWM3322FPC-1 YL2835WW /IP65	Warm White	3000~3300K				86 lm

Other colours are available on request

Module Dimensions



Module Layout Density Guidelines:

Light box thickness (mm)	LED Spacing (mm)	Installation density (PCS/m ²)	Surface illumination (lux)	Main Connectors spacing
50-150MM	50-150MM	50-150MM	50-150MM	50-150MM
40mm	Dx=76mm, Dy=50mm	240	5000-6000	50
≥100mm	Dx=76mm, Dy=125mm	96	2000-2500	125

Module Layout – Example of configuration

